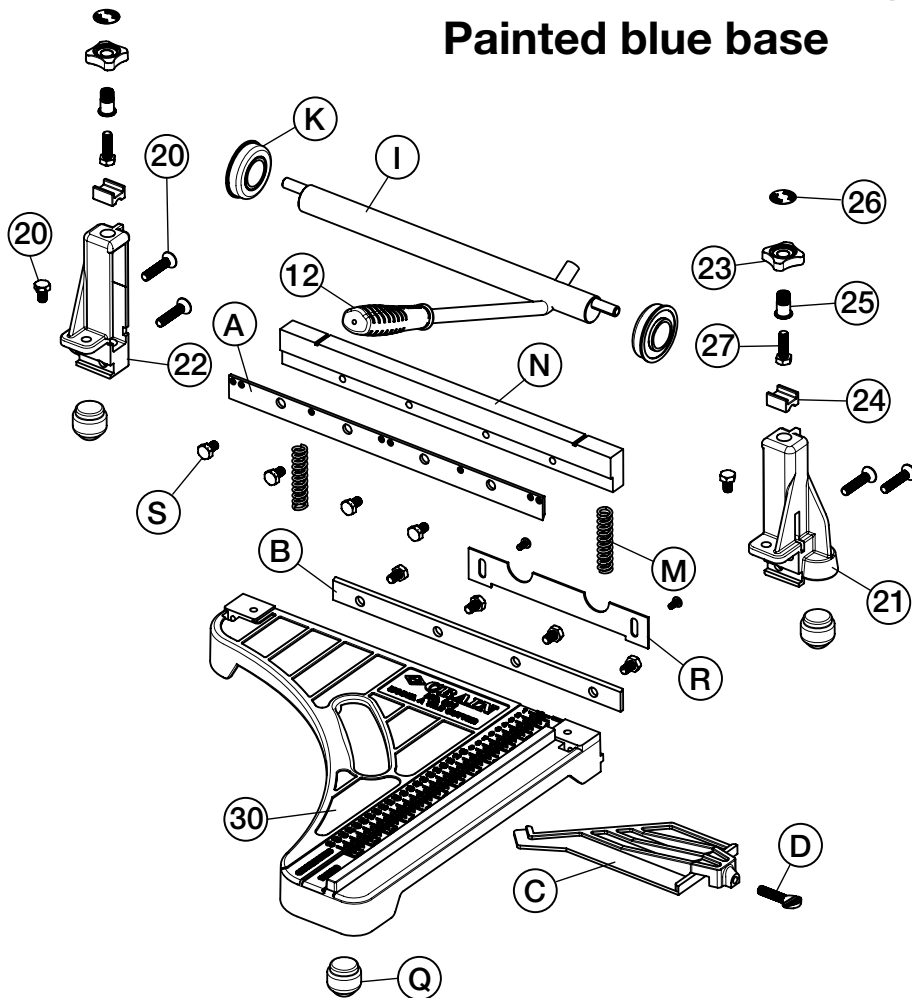


## No. 001 Model "A" Tile Cutter

### Painted blue base



Painted blue base

#### NO. 001 MODEL "A" TILE CUTTER PAINTED BLUE BASE

<i>Order No.</i>	<i>Description</i>
1001-12	Handle Grip Only
1001-20	Standard Screw Set (3x)
1001-21	Right Hand Standard
1001-22	Left Hand Standard
1001-23	Dial Knob (1 each)
1001-24	Cam Bearing (1 each)
1001-25	Threaded Bushing (1 each)
1001-26	Knob Label (1 each)
1001-27	Bushing Screw (1 each)
1001-30	Base Casting

#### PARTS COMMON TO PREVIOUS NO. 001:

<i>Order No.</i>	<i>Description</i>
1001-A	Top Blade
1001-B	Bottom Blade
1001-C	Tile Guide w/Wing Screw
1001-D	Tile Guide Wing Screw Only
1001-I	Crankshaft, Handle & Grip
1001-K	Crankshaft Ball Bearing (1 each)
1001-M	Return Spring (1 each)
1001-N	Blade Carrier
1001-Q	Ball Caster Only
1001-R	Floor Guide & Screws (2)
1001-S	Blades Screw Set (8)