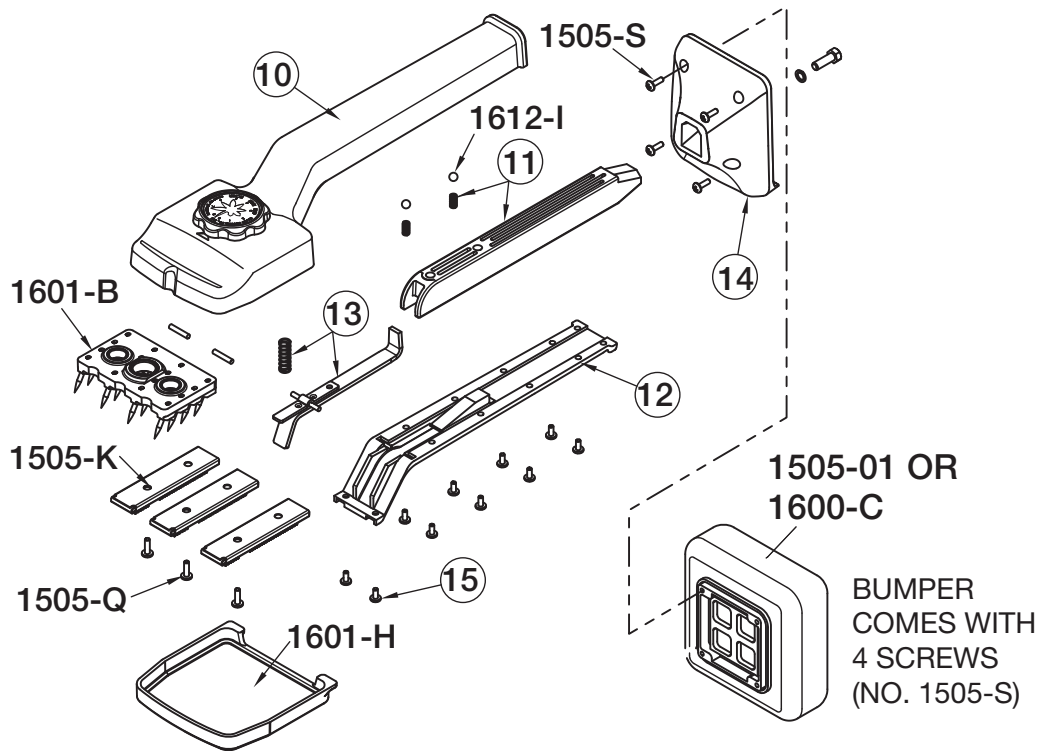


No. 445 Knee Kicker



NO. 445 KNEE KICKER

Order No.	Description
1445-10	Main Body & Knob Assembly
1445-11	Adjusting Pole, Springs & Balls
1445-12	Bottom Cover & Screws
1445-13	Trigger Assembly & Spring
1445-14	Bumper Support & Screw
1445-15	Bottom Cover Screws Only (10)
1505-01	Bumper & Screws (4)
1505-K	Gripper Inserts (3)
1505-Q	Gripper Screws (3)
1505-S	Universal Bumper Screws (4)
1601-B	Pin Plate
1601-H	Cover Cap
1612-I	Balls & Springs Set

REPLACEMENT BUMPER INFORMATION:

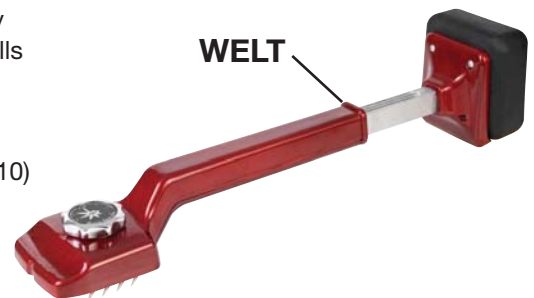
REPLACEMENT THIN BUMPER

1505-01 Bumper & Screws (4)

REPLACEMENT THICK BUMPER

1600-C Bumper & Screws (4)

New style for kickers produced after 1/24/05



**IF YOU DO NOT SEE A WELT,
CHECK THE PARTS DIAGRAM
FOR NO. 612.**