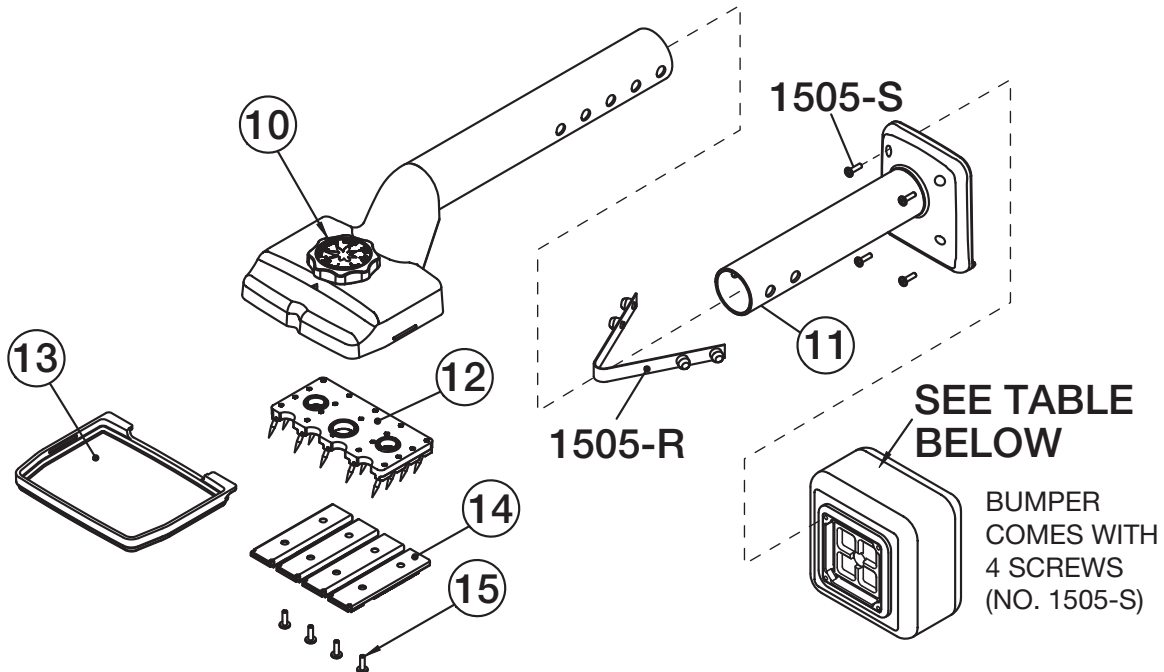


No. 525 Wide Knee Kicker



NO. 525 WIDE KNEE KICKER

Order No.	Description
1525-10	Head & Tube Assembly
1525-11	Bumper Support & Tube Assembly
1525-12	Pin Plate
1525-13	Cover Plate
1525-14	Gripper Inserts (4)
1525-15	Gripper Screws (4)
1505-R	Double Button Spring Clip
1505-S	Universal Bumper Screws (4)

REPLACEMENT BUMPER INFORMATION:

SHORT ALUMINUM BUMPER SUPPORT (3/8" TALL)*

REPLACEMENT THIN BUMPER

1505-D Bumper & Screws (4)

REPLACEMENT THICK BUMPER

1600-Q Bumper & Screws (4)

TALL ALUMINUM BUMPER SUPPORT (7/16" TALL)

REPLACEMENT THIN BUMPER

1505-01 Bumper & Screws (4)

REPLACEMENT THICK BUMPER

1600-C Bumper & Screws (4)

* **NOTE:** A small number of the No. 525 were made with a different bumper support requiring the internal support included in Part No. 1505-D / 1600-Q. For clarification, please call Crain for assistance.