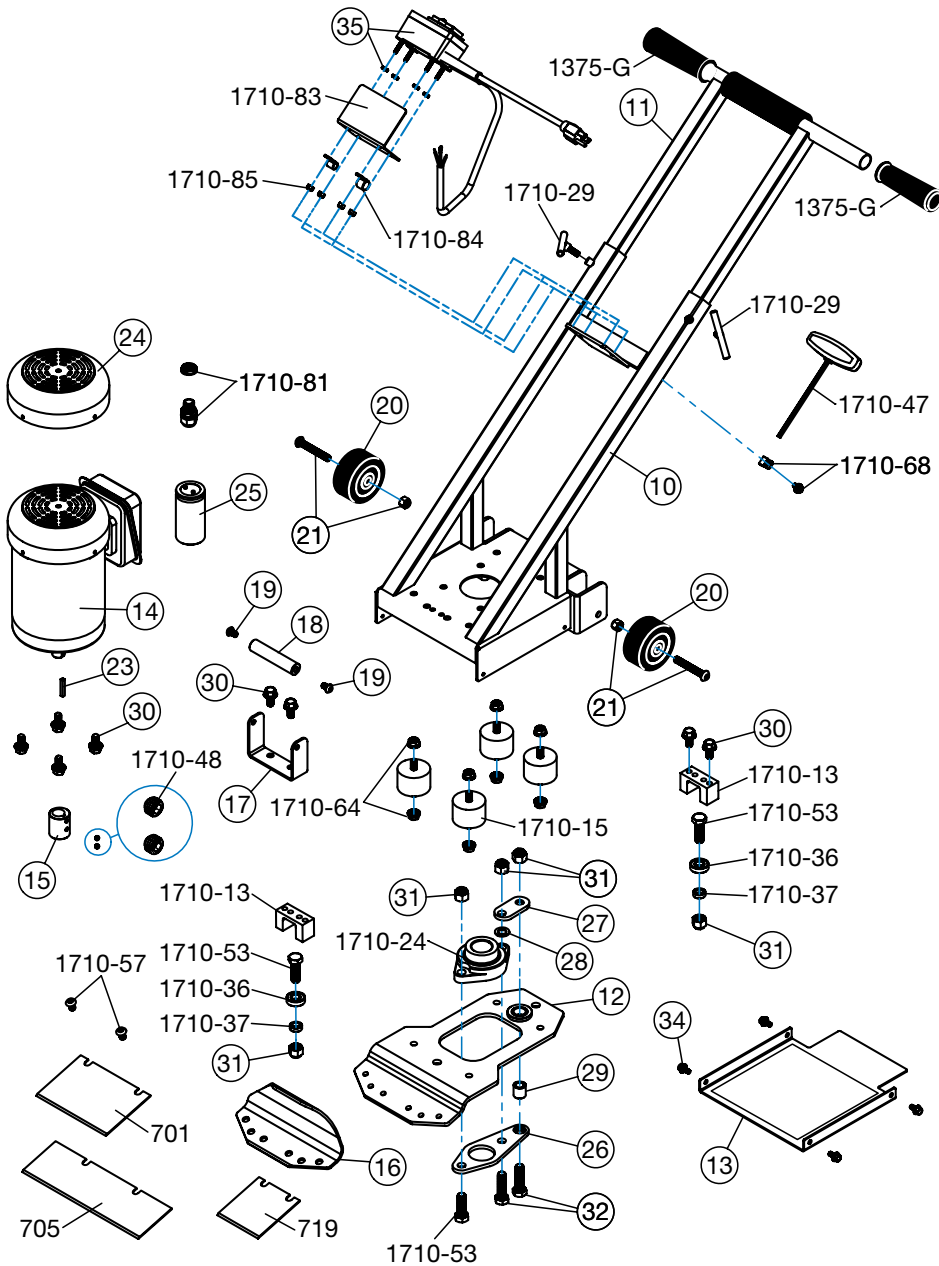


No. 718 Power Scraper



Order No.	Description
1718-10	Main Body
1718-11	Extendable Handle & Grips
1718-12	Blade Carrier
1718-13	Bottom Cover & Foil
1718-14	Motor 1/2 HP 120V
1718-15	Eccentric & Screws (2)
1718-16	Blade Clamp
1718-17	Handle Bracket
1718-18	Handle
1718-19	Handle Screws Only (2)
1718-20	3" Poly Wheel
1718-21	Wheel Bolt & Nut (2)
1718-23	Spindle Key
1718-24	Motor Fan Cover & Screws
1718-25	Motor Capacitor
1718-26	Pivot Plate
1718-27	Connector and Shim
1718-28	Bearing Block Washer
1718-29	Spacer
1718-30	Motor & Guide Channel Screws (4)
1718-31	Pivot Plate & Guide Channel Lock Nuts (3)
1718-32	Pivot Plate Screws (2)
1718-34	Cover Screws (4)
1718-35	Cord, Switch & Mounting Screws
1710-13	Guide Channel
1710-15	Rubber Damper
1710-24	Bearing Block
1710-29	Short T-Bolt
1710-36	Ball Bearing
1710-37	Bearing Spacer
1710-47	T-Handle Wrench
1710-48	Eccentric Set Screws (2)
1710-53	Bearing Screw
1710-57	Blade Clamp Screw (Short - 2)
1710-64	Rubber Damper Hex Lock Nut Set (2)
1710-68	T-Handle Wrench Holder & Screw
1710-81	Motor Cable Connector
1710-83	Switch Shield Plate
1710-84	Loop Clamp Set (2)
1710-85	Switchbox Nuts Set (4)
1375-G	Handle Grip Only