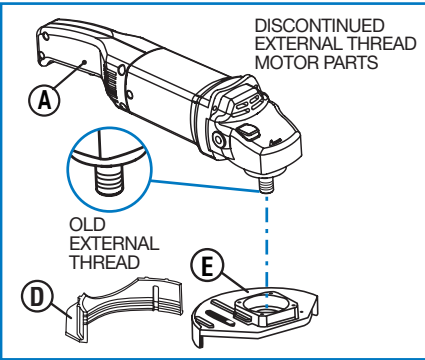
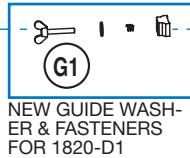
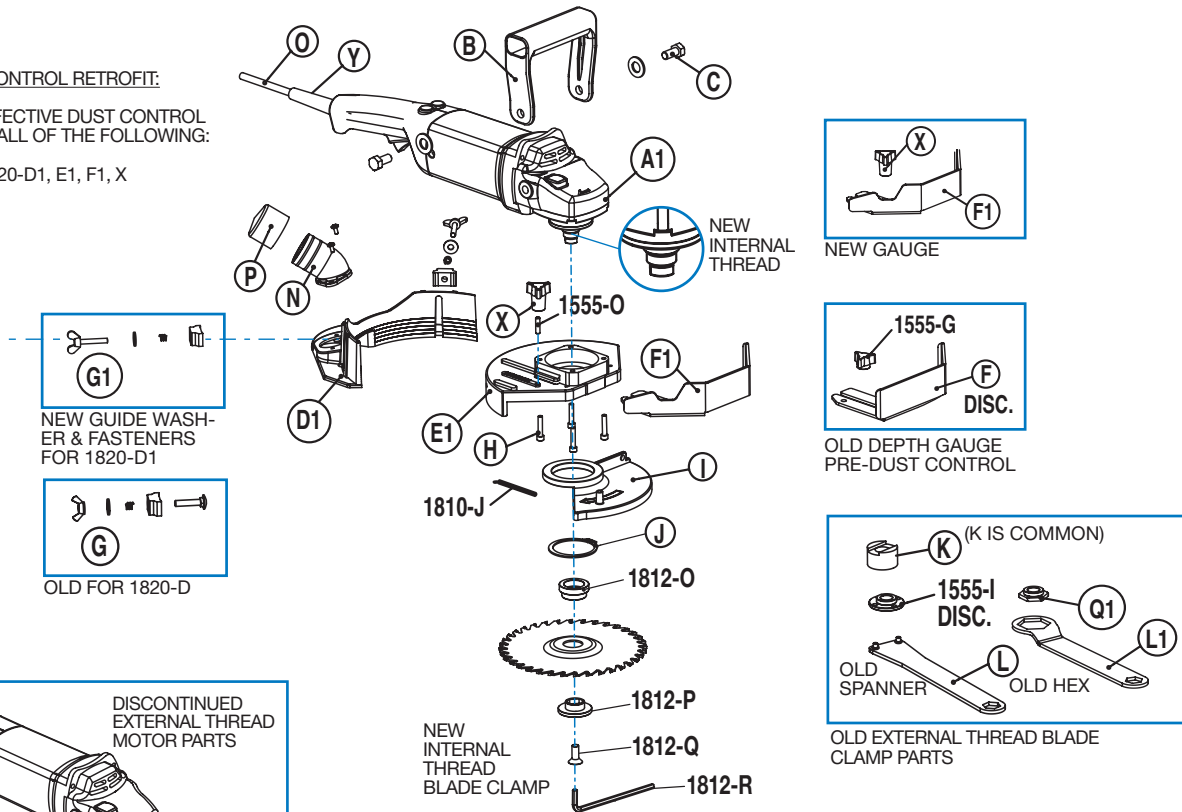


No. 820 Heavy-Duty Undercut Saw

DUST CONTROL RETROFIT:

FOR EFFECTIVE DUST CONTROL
ORDER ALL OF THE FOLLOWING:

NOS. 1820-D1, E1, F1, X



DISCONTINUED:
NO. 1555-I OLD BLADE CLAMP NUT

REPLACE WITH:
NO. 1820-L1 OLD HEX BLADE WRENCH AND
NO. 1820-Q1 OLD HEX BLADE CLAMP NUT

DISCONTINUED:
NO. 1820-A OLD POWER UNIT, 120V (WITH EXTERNAL THREAD)

REPLACE WITH:
NO. 1820-A1 NEW POWER UNIT (WITH INTERNAL THREAD)
COMES WITH NOS. 1812-O, P, Q & R AT NO ADDITIONAL CHARGE

DISCONTINUED:
NO. 1820-D OLD HEIGHT ADJUSTER

REPLACE WITH:
NO. 1820-D1 NEW DUST CONTROL HEIGHT ADJUSTER

DISCONTINUED:
NO. 1820-E OLD HOUSING

DISCONTINUED:
NO. 1820-F OLD DEPTH GAUGE

DISCONTINUED:
NO. 1820-R SWITCH TYPE A

REPLACE WITH:
NO. 1820-E1 NEW DUST CONTROL HOUSING AND
NO. 1820-G1 NEW GUIDE WASHER & FASTENER SET (8). (ORDER BOTH.)

REPLACE WITH:
NO. 1820-F1 NEW DUST CONTROL DEPTH GAUGE AND
NO. 1820-X NEW DUST CONTROL THREE ARM KNOB

REPLACE WITH:
NO. 1820-W SWITCH CONVERSION KIT

NO. 820 HEAVY-DUTY UNDERCUT SAW

Order No.	Description	Order No.	Description	Order No.	Description
1820-A1**	NEW Power Unit, 120 Volts	1820-L	OLD Spanner Wrench	1820-W	Switch Conversion Kit (not shown)
1820-B	Plastic Handle	1820-L1	OLD Hex Blade Wrench	1820-X	NEW Dust Control Three-Arm Knob
1820-C	Handle Fastener Set (4)	1820-M	Carrying Case (not shown)	1820-Y	Power Cord Strain Relief Only
1820-D1	NEW Dust Control Height Adjuster	1820-N	Dust Port w/Screws	1820-Z	Return Spring Screw Only (not shown)
1820-E1	NEW Dust Control Housing	1820-O	Power Cord (not shown)	1555-G*	OLD Depth Gauge Three-Arm Knob
1820-F*	OLD Depth Gauge - Discontinued	1820-P	Dust Port Cap	1555-I	OLD Blade Clamp Nut - Discontinued
1820-F1	NEW Dust Control Depth Gauge	1820-Q1	OLD Hex Blade Clamp Nut	1555-O	Set Screw
1820-G*	OLD Guide Washer & Fastener Set (10)	1820-R	Switch Type A, Red/Orange (not shown) - Discontinued	1810-J	Blade Guard Spring
1820-G1	NEW Guide Washer & Fastener Set (8)	1820-R1	Switch Type B, Black (not shown)	1812-O**	Blade Spacer
1820-H	Housing Fastener Set (4)	1820-S	Brush Set (not shown)	1812-P**	Blade Clamp
1820-I	Blade Guard	1820-T	Carrying Case Latch Set (2) (not shown)	1812-Q**	Blade Screw
1820-J	Blade Guard Snap Ring	1820-U	Carrying Case Handle (not shown)	1812-R**	Allen® Wrench
1820-K	Blade Driver	1820-V	Brush Holder Assembly plus Brushes (not shown)		

* For saws produced before 01/24/05
** For saws with 1820-A1 power unit (spindle w/ internal thread) produced after 2/2006